

2MP Fixed Dome Network Camera

IPC3612LR3-PF28(40)-D



Key Features

Optics

- Day/night functionality
- Smart IR, up to 30 m (98 ft) IR distance
- 3D DNR (Digital Noise Reduction)

Compression

- Ultra 265,H.265,H.264,MJPEG
- ROI (Region of Interest)

Network

- ONVIF Conformance

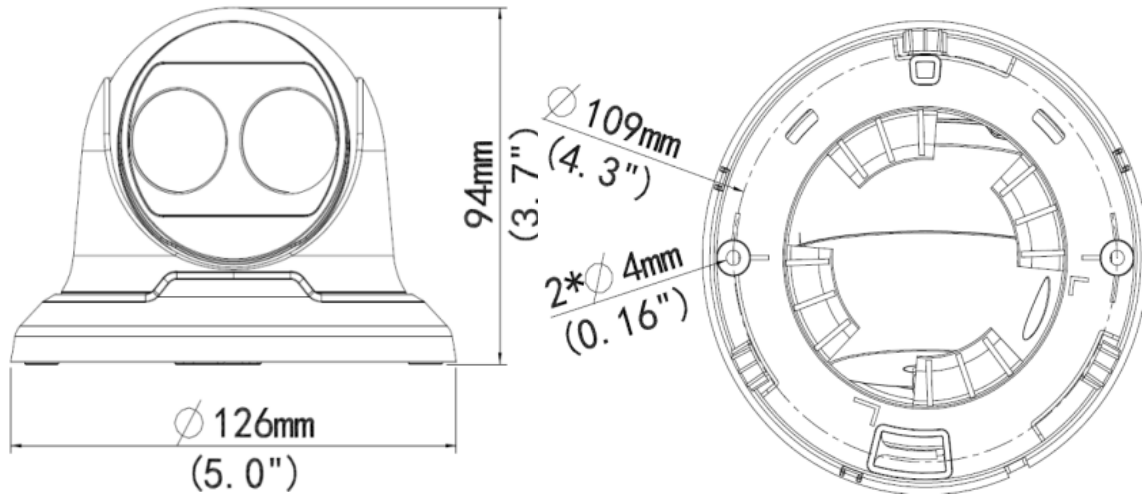
Structure

- Wide temperature range: -30°C to 60°C (-22°F to 140°F)
- Wide voltage range of $\pm 25\%$
- IP67
- 3-Axis

Specifications

	IPC3612LR3-PF28-D	IPC3612LR3-PF40-D			
Camera					
Sensor	1/2.7", 2megapixel, progressive scan, CMOS				
Lens	2.8mm@F2.0			4.0mm@2.0	
DORI Distance	Lens	Detect(m)	Observe(m)	Recognize(m)	Identify(m)
	2.8mm	46.7	18.7	9.3	4.7
	4.0mm	66.7	26.7	13.3	6.7
Angle of view(H)	112.7°			86.5°	
Angle of View (V)	60.1°			44.1°	
Angle of View (O)	146.5°			106.4°	
Shutter	Auto/Manual, 1~1/100000 s				
Adjustment angle	Pan: 0°~360°		Tilt: 0°~90°		Rotate: 0°~360°
Min. Illumination	Colour: 0.02 Lux (F2.0, AGC ON) 0 Lux with IR				
IR Range	Up to 30m (98 ft) IR range				
Day/Night	IR-cut filter with auto switch (ICR)				
S/N	>52dB				
WDR	Supported				
Noise Reduction	2D/3D				
Video					
Max. Resolution	1920×1080				
Video Compression	Ultra 265,H.265,H.264,MJPEG				
Frame Rate	Main Stream:1080P (1920*1080): Max. 25 fps; Sub Stream: 720P (1280*720): Max. 25 fps; Third Stream: CIF (352*288): Max. 25fps				
HLC	Supported				
BLC	Supported				
OSD	Up to 4 OSDs				
Privacy Mask	Up to 8 areas				
ROI	Up to 2 areas				
Motion Detection	Up to 4 areas				
Network					
Protocols	IPv4, IGMP, ICMP, ARP, TCP, UDP, DHCP, RTP, RTSP, RTCP, DNS, DDNS, NTP, FTP, UPnP, HTTP, HTTPS, SMTP, SSL				
Compatible Integration	ONVIF(Profile S),API				
Interface					
Network	10/100M Base-TX Ethernet				
General					
Power	12 V DC±25%, PoE (IEEE802.3 af)				
	Power consumption: Max 4.5W				
Dimensions (Ø x H)	Ø118x 96 mm (Ø4.6" x 3.8")				
Weight	0.3kg (0.44lb)				
Working Environment	-30°C ~ +60°C (-22°F ~ 140°F), Humidity :10%~90% RH(non-condensing)				

Dimensions



Zhejiang Uniview Technologies Co., Ltd.

South Tower, Building 10, Wanlun Science Park, 88 Jiangling Road, Hangzhou, P.R.China 310051

Email: overseasbusiness@uniview.com; globalsupport@uniview.com

<http://www.uniview.com>

©2018 Zhejiang Uniview Technologies Co., Ltd. All rights reserved.

*Product specifications and availability are subject to change without notice.